

levelling feet  
FS series



# levelling feet FS 3

30 mm diameter



FS 3/8x22



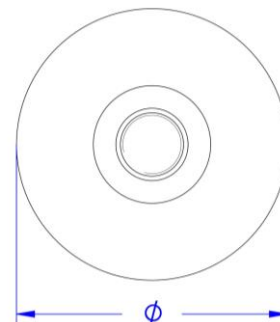
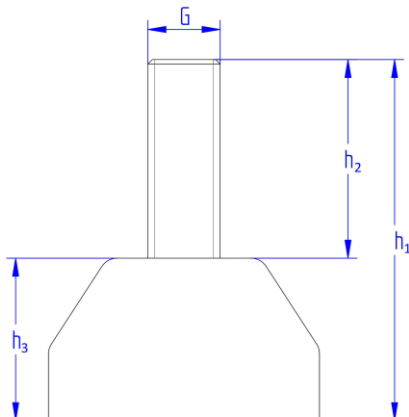
FS 3/8x57



FS 3/10x57

type		Ø	G	h <sub>1</sub>	h <sub>2</sub>	h <sub>3</sub>	load/daN
description	article number	mm	mm	mm	mm	mm	max.
FS 3/8x22	7000 0001	30	M8	40	22	18	150
FS 3/8x57	7000 0002	30	M8	75	57	18	150
FS 3/10x57	7000 0003	30	M10	75	57	18	150

base of the FS 3 is made of thermoplast-elastomer, with a plastic-injection molded non-pendulum stainless steel screw



## levelling feet FS 4

40 mm diameter



FS 4/10x37



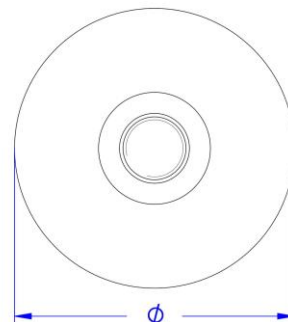
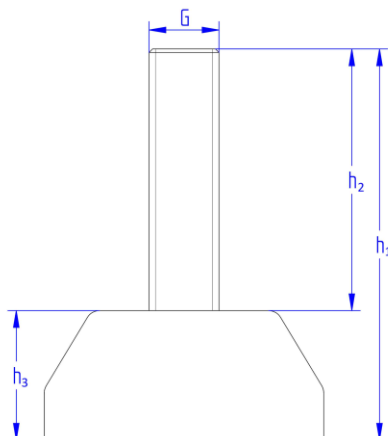
FS 4/10x57



FS 4/12x57

type		Ø	G	h <sub>1</sub>	h <sub>2</sub>	h <sub>3</sub>	load/daN
description	article number	mm	mm	mm	mm	mm	max.
FS 4/10x37	7000 0004	40	M10	55	37	18	300
FS 4/10x57	7000 0005	40	M10	75	57	18	300
FS 4/12x57	7000 0006	40	M12	75	57	18	300

base of the FS 4 is made of thermoplast-elastomer, with a plastic-injection molded non-pendulum stainless steel screw



## levelling feet FS 5

50 mm diameter



FS 5/10x37



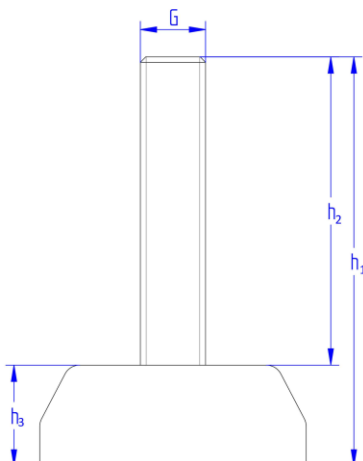
FS 5/10x57



FS 5/12x57

type		Ø	G	h <sub>1</sub>	h <sub>2</sub>	h <sub>3</sub>	load/daN
description	article number	mm	mm	mm	mm	mm	max.
FS 5/10x37	7000 0007	50	M10	55	37	18	400
FS 5/10x57	7000 0008	50	M10	75	57	18	400
FS 5/12x57	7000 0009	50	M12	75	57	18	400

base of the FS 5 is made of thermoplast-elastomer, with a plastic-injection molded non-pendulum stainless steel screw



# levelling feet FS 7

70 mm diameter - without NBR elastomer



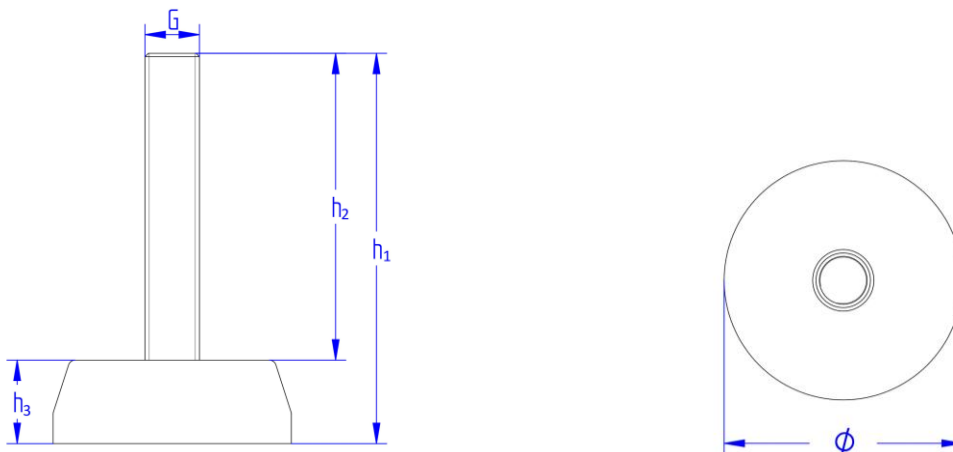
FS 7/12x90



FS 7/16x92

type		Ø	G	h <sub>1</sub>	h <sub>2</sub>	h <sub>3</sub>	load/daN
description	article number	mm	mm	mm	mm	mm	max.
FS 7/12x90	7000 0010	70	M12	115	90	25	550
FS 7/16x92	7000 0011	70	M16	117	92	25	550

base of the FS 7 is made of polyamide, with a plastic-injection molded non-pendulum stainless steel screw



## levelling feet FS 7

70 mm diameter - with NBR elastomer for anti-slip protection



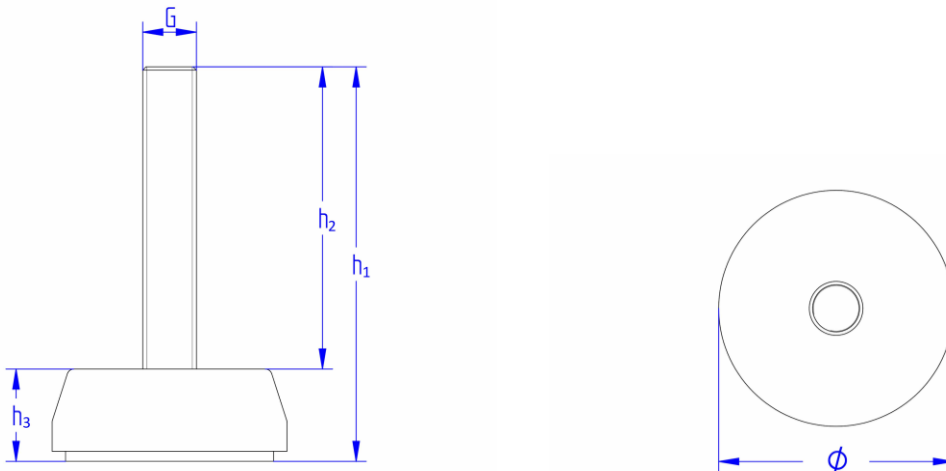
FS 7/12x90 NBR



FS 7/16x92 NBR

type		Ø	G	h <sub>1</sub>	h <sub>2</sub>	h <sub>3</sub>	load/daN
description	article number	mm	mm	mm	mm	mm	max.
FS 7/12x90 NBR	7000 0012	70	M12	118	90	28	550
FS 7/16x92 NBR	7000 0013	70	M16	120	92	28	550

base of the FS 7 is made of polyamide, with a plastic-injection molded non-pendulum stainless steel screw



## levelling feet FS series

Our levelling feet of the FS series are made of high-quality thermoplast-elastomer, or polyamide respectively ( for FS 7 ), with a tightly inserted ( via plastic-injection molding ), non-pendulum screw in stainless steel. The bottom of the levelling feet ( FS 3 to FS 5 ) features a concentric structure for improved anti-slip performance, while the FS 7 comes with an optional anti-slip elastomer.

Designed for hassle-free installation and levelling of devices and machines of all makes, where the main objective is not vibration damping or vibration isolation.

Diameter ranges from 30 mm to 70 mm, with various net thread lengths and load capacities from 150 daN to 550 daN.

Optional:

- NBR elastomer for anti-slip performance ( only for FS 7 )
- nuts and washers
- ready-packed and labelled sets as per customer guideline
- further net thread lengths on request

Ideally suited for combination with threaded square or round tube inserts ( also available from us ).

Technical modifications subject to change! Any previous versions of this document are herewith null and void!